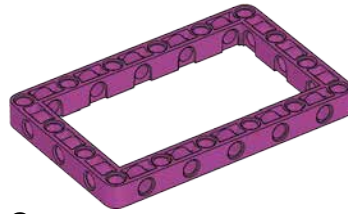
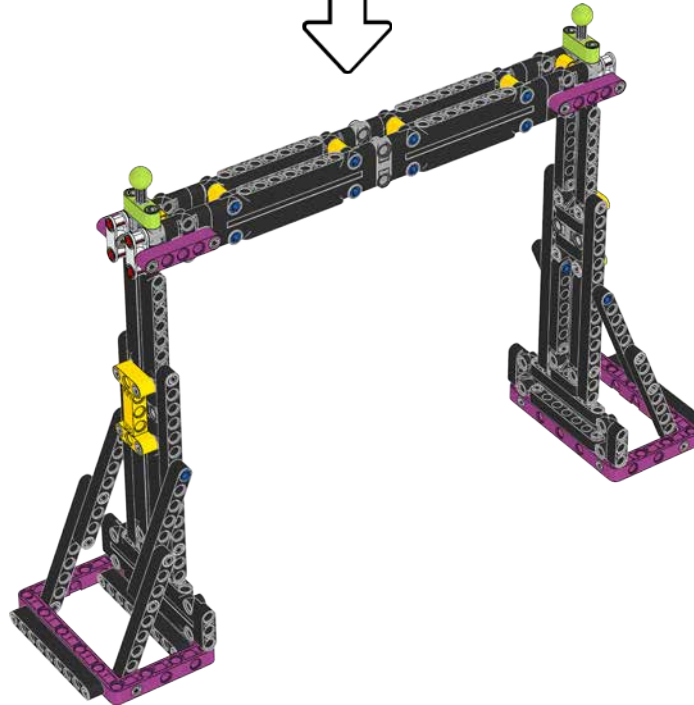
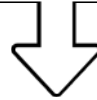
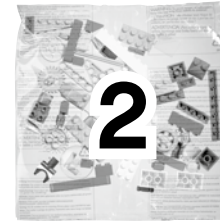




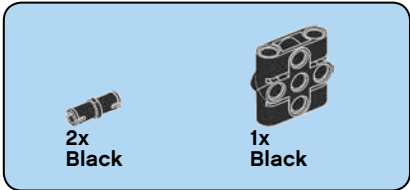
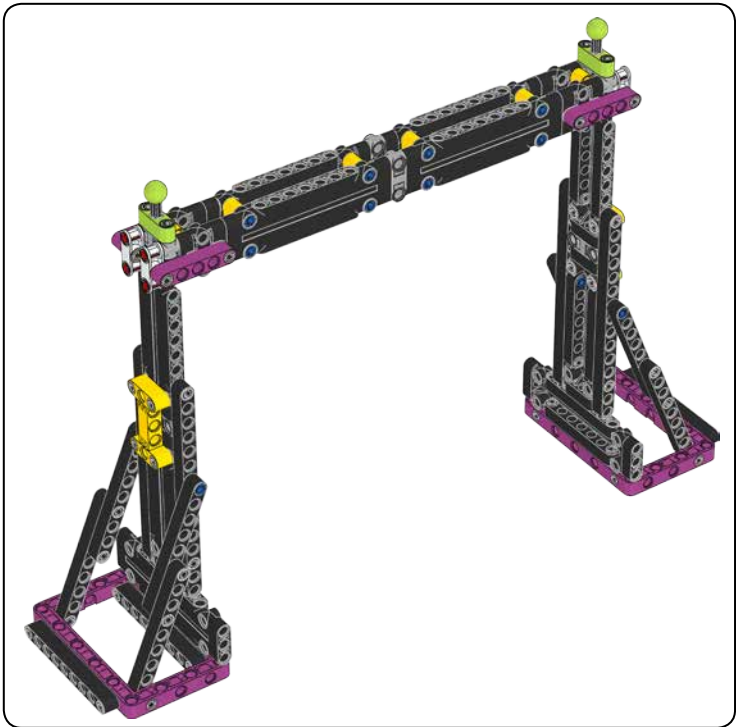
4x Black



2x Bright reddish violet



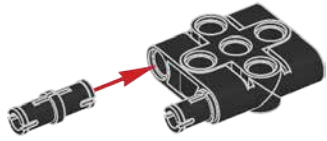
45813

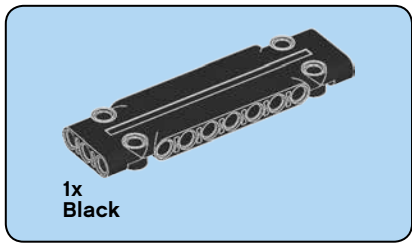


2x
Black

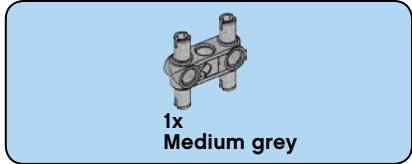
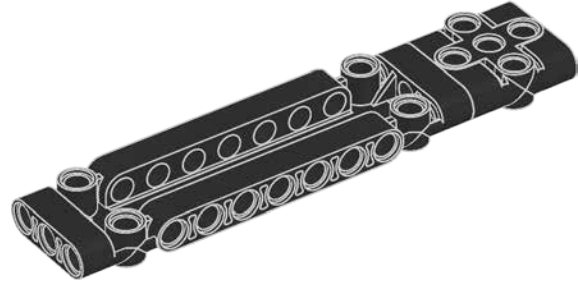
1x
Black

1

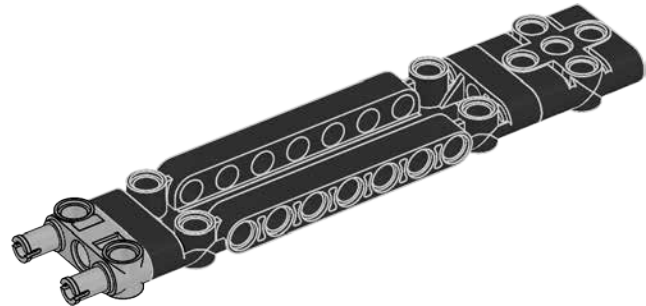


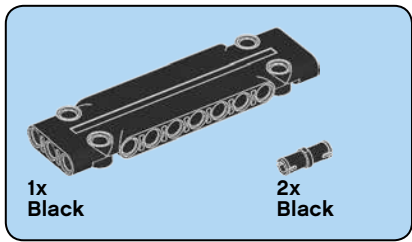


2

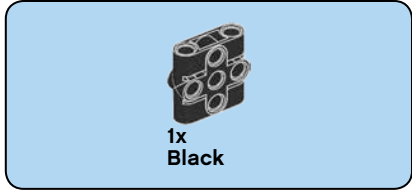


3





4

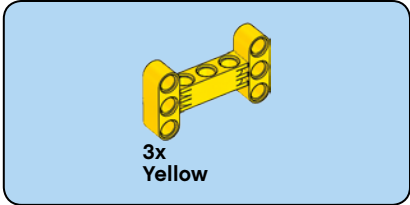
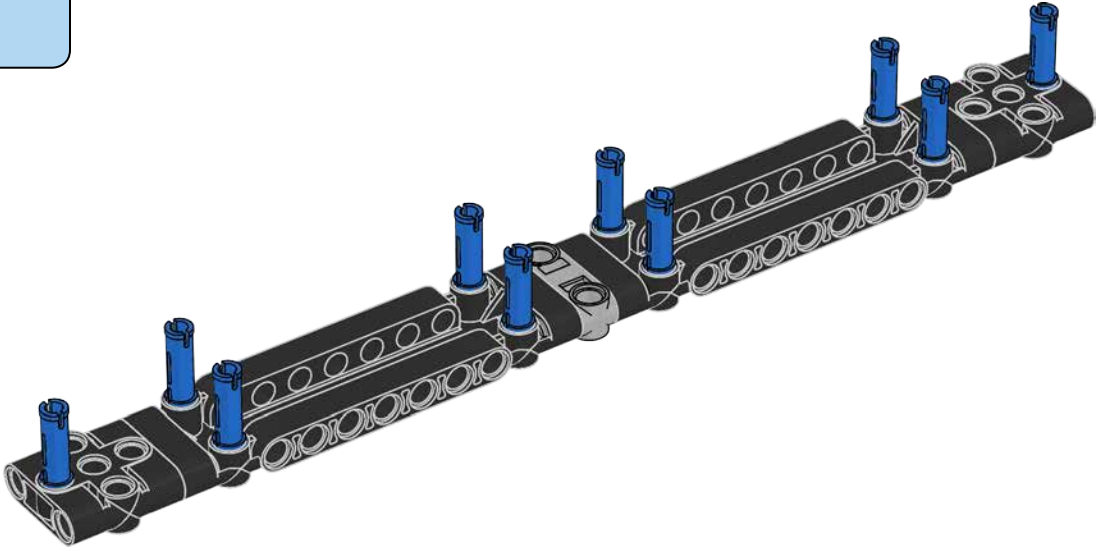


5

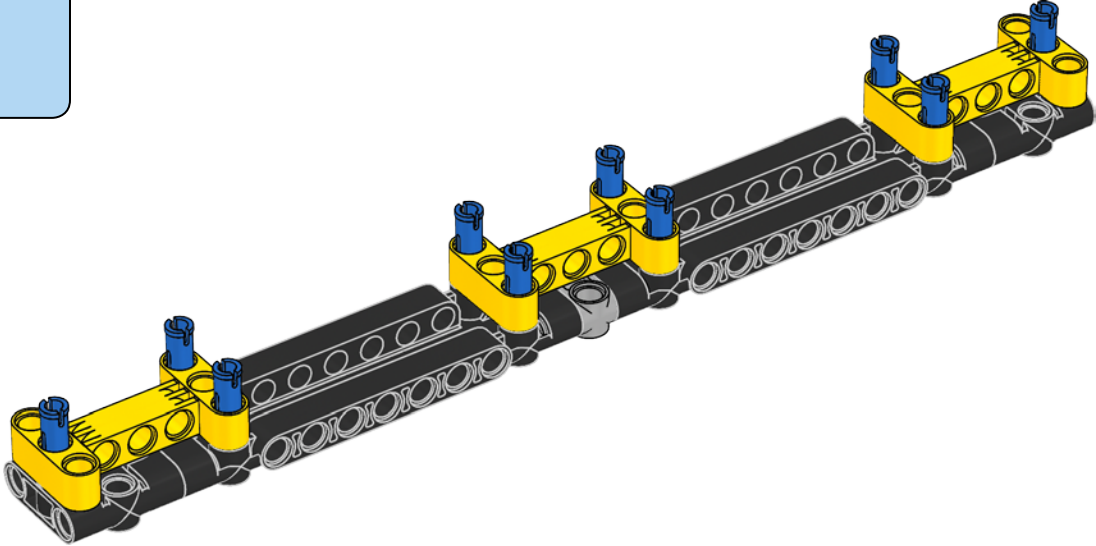


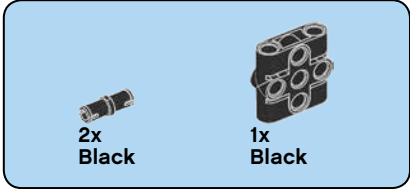
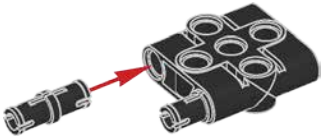
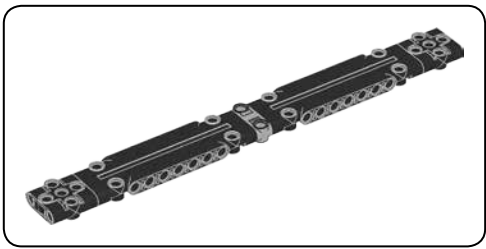


6

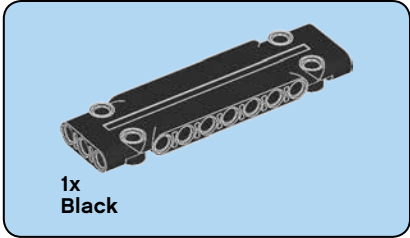


7

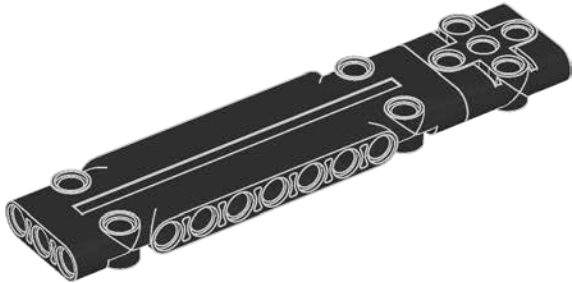


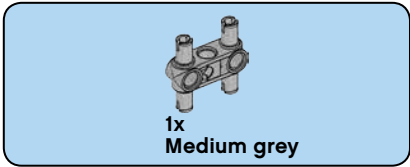


8

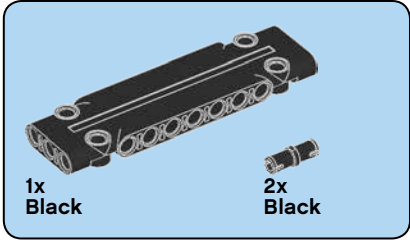
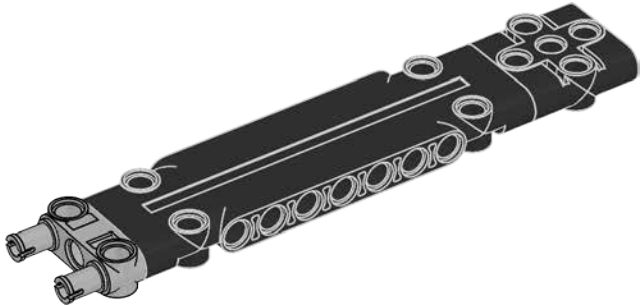


9



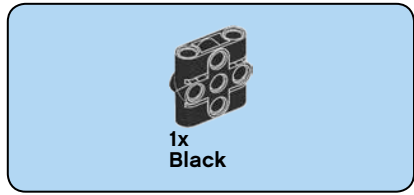


10



11

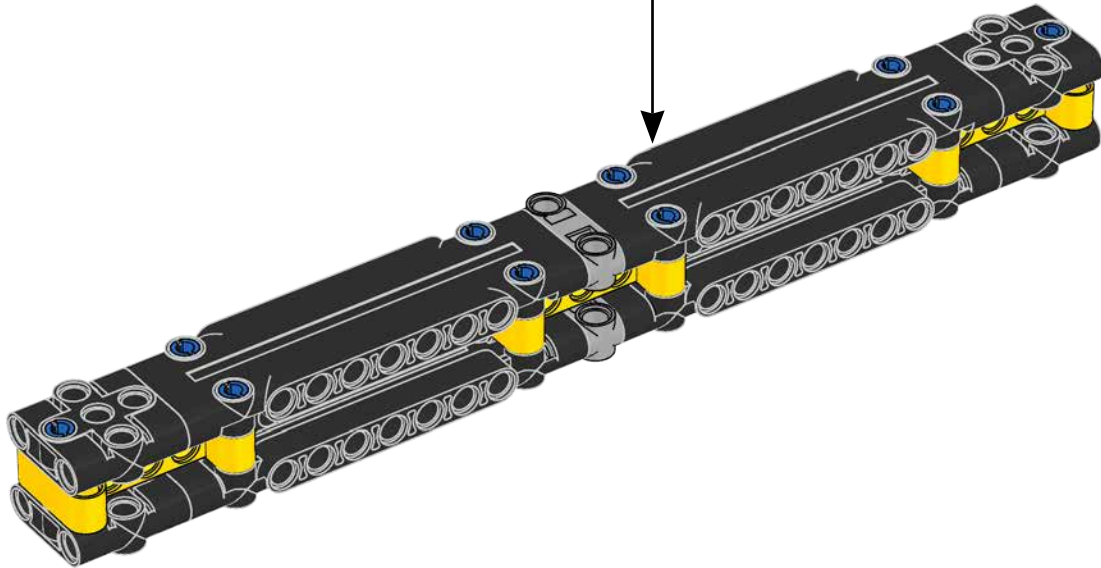


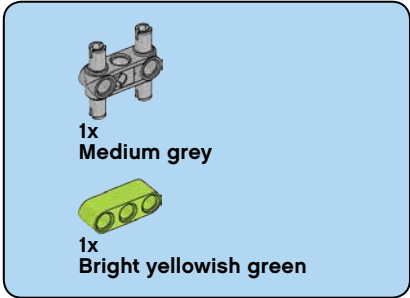
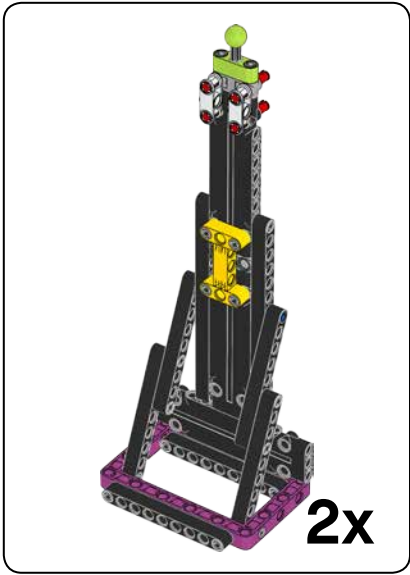


12

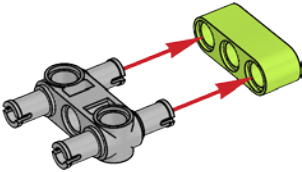


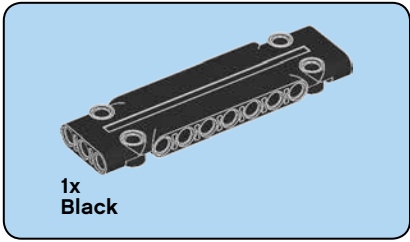
13



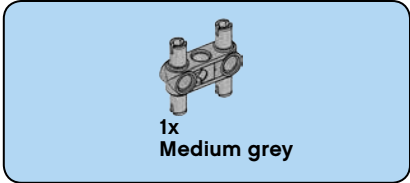
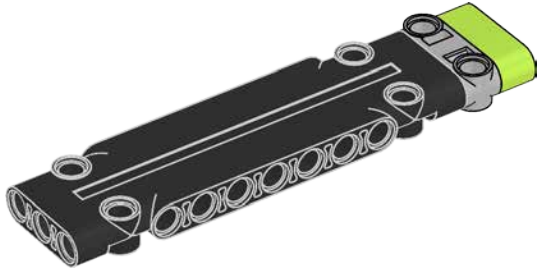


14

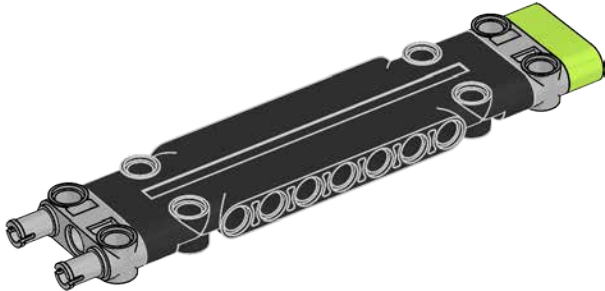


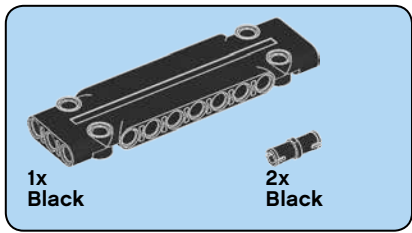


15

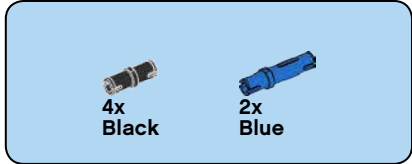
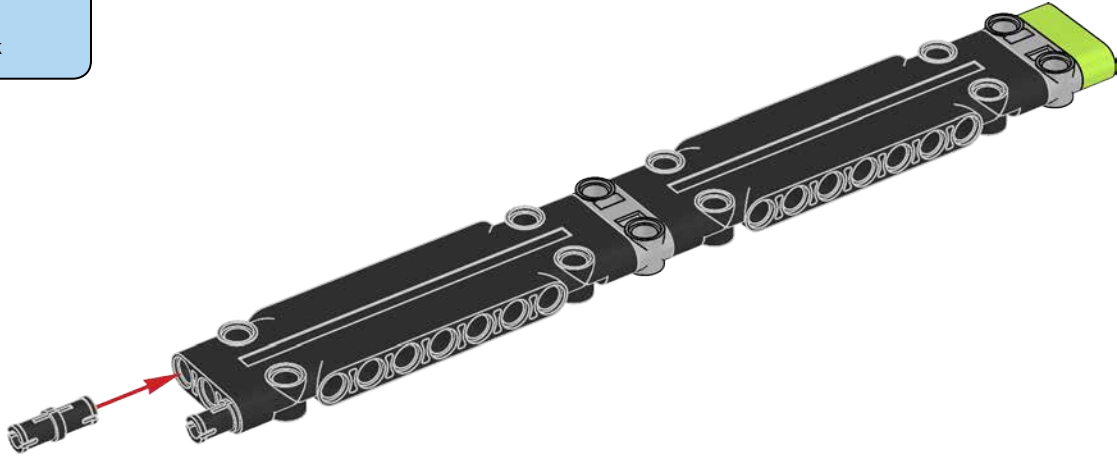


16

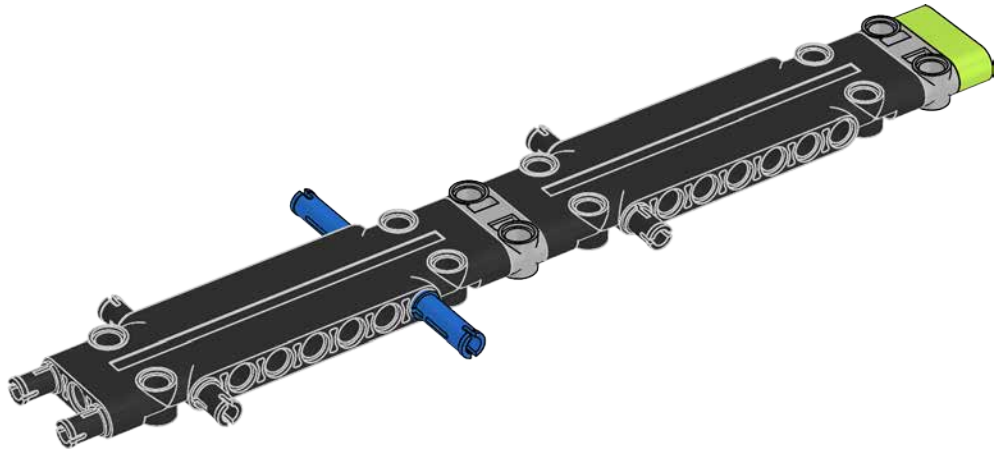


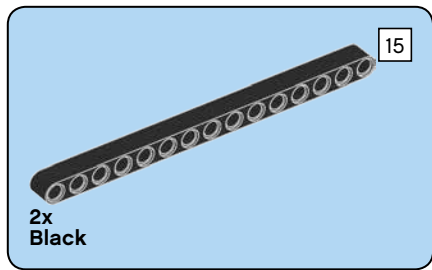


17

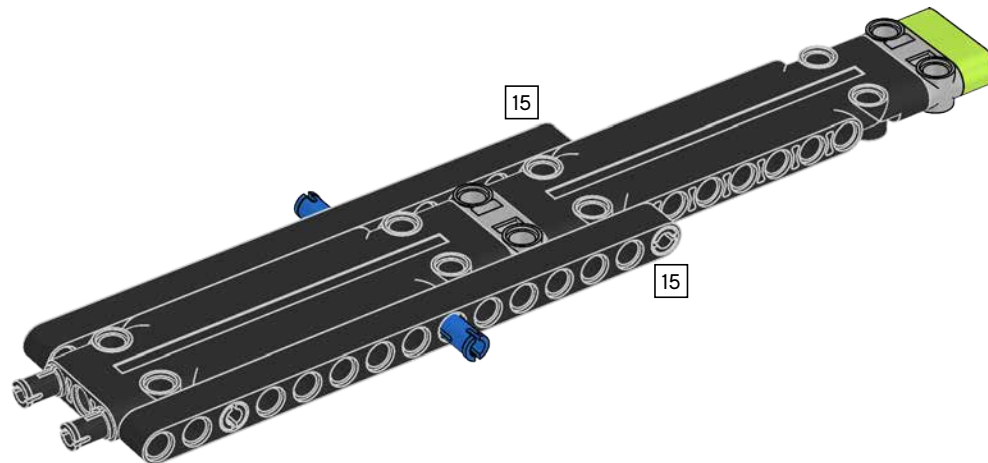


18

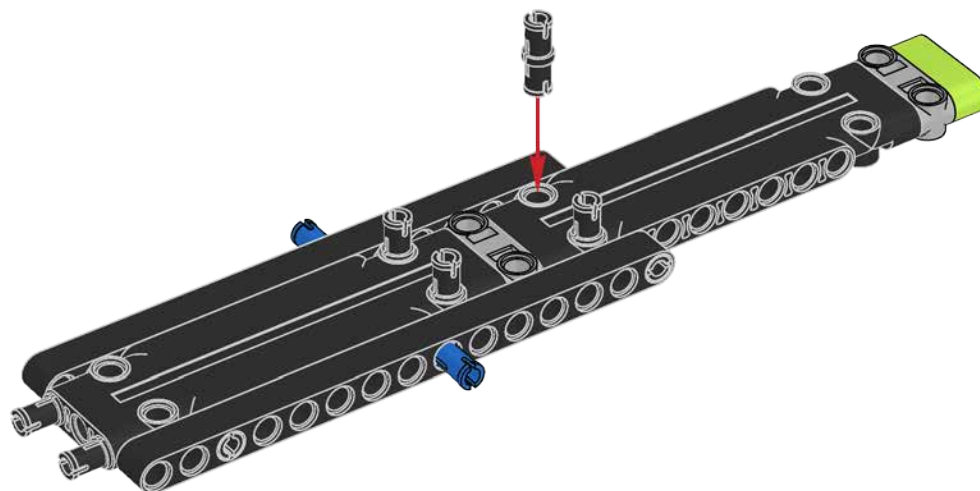


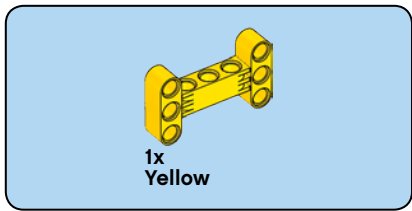


19

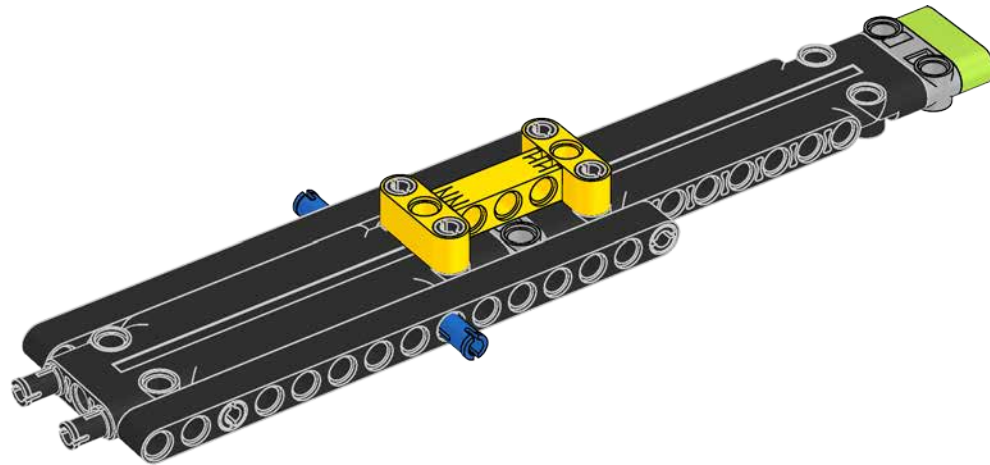


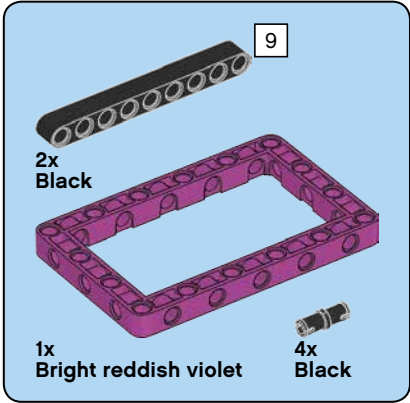
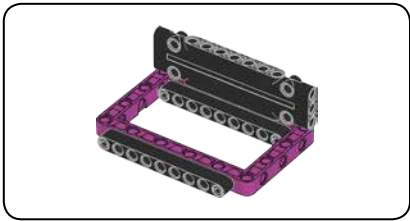
20



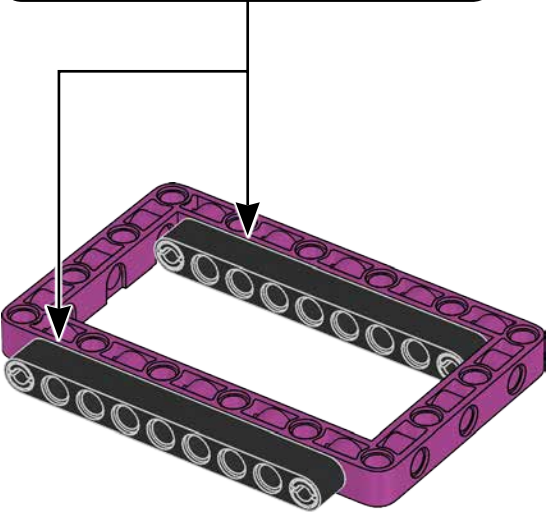
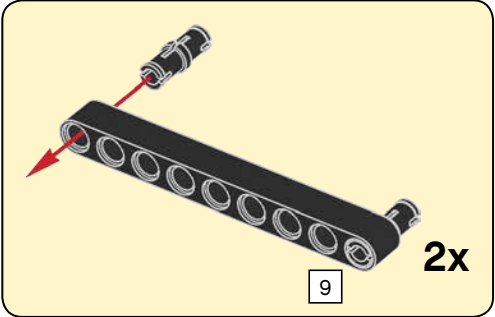


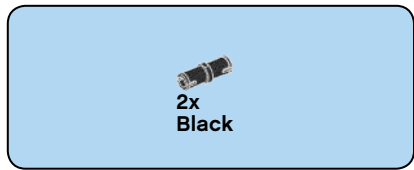
21



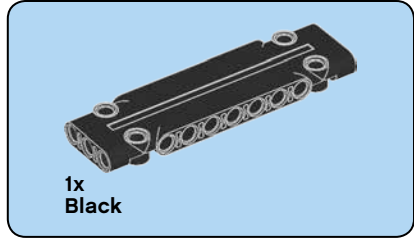
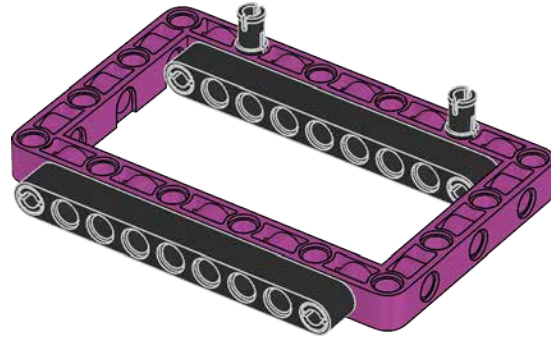


22

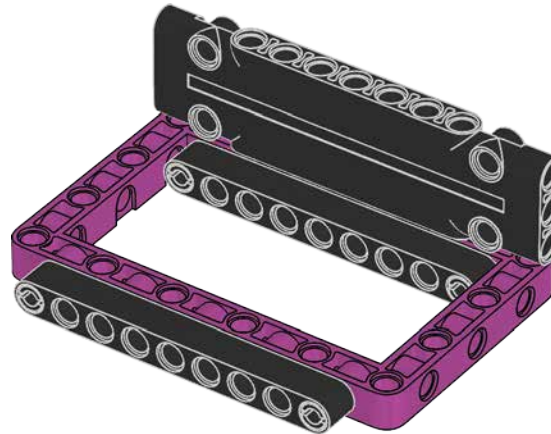




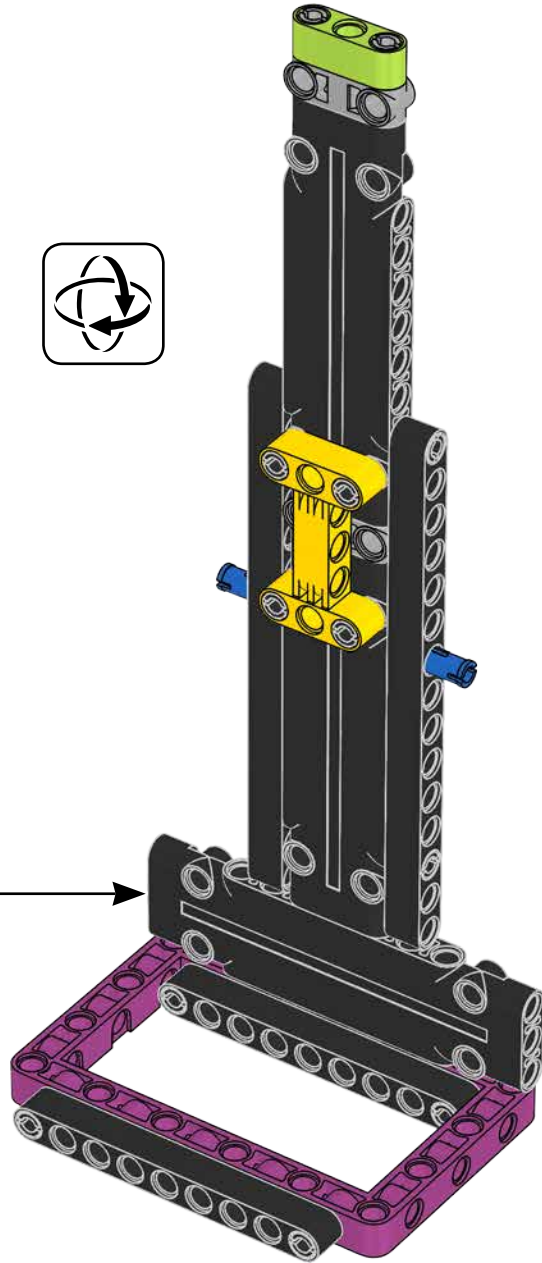
23

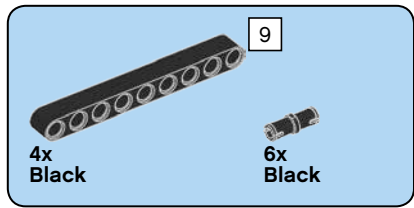


24

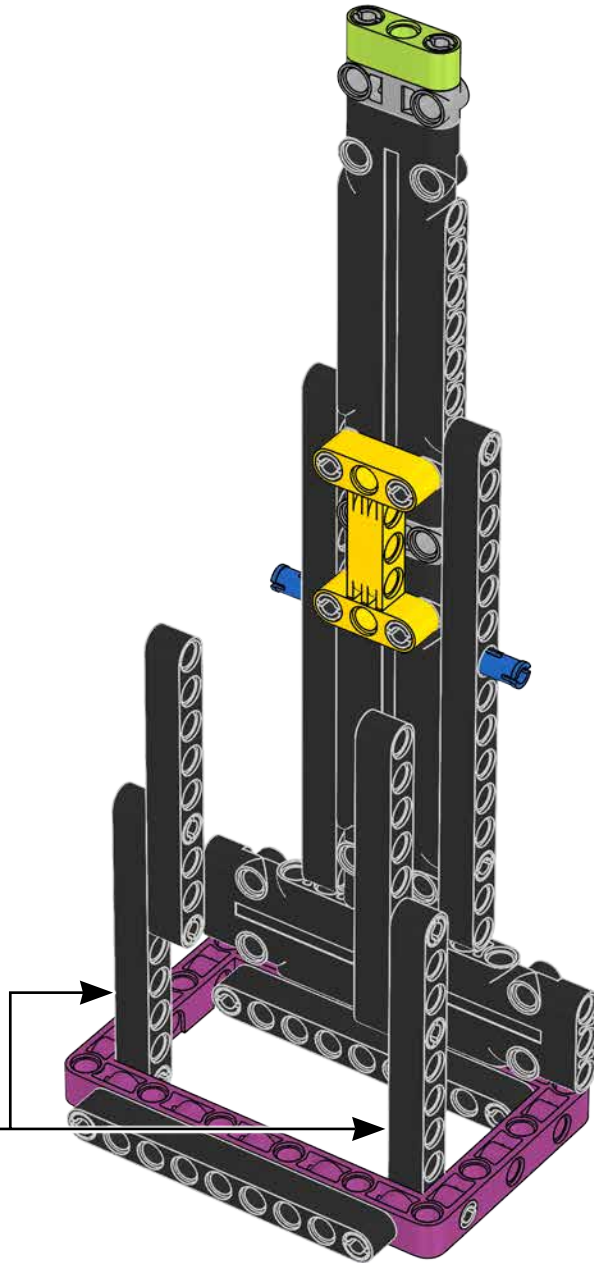
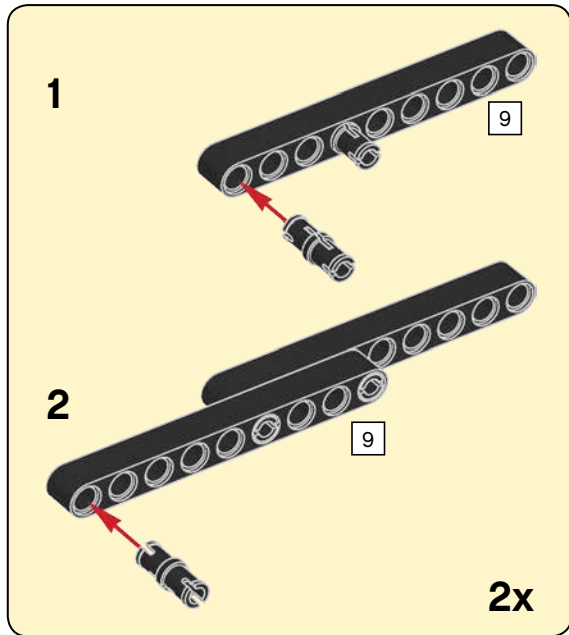


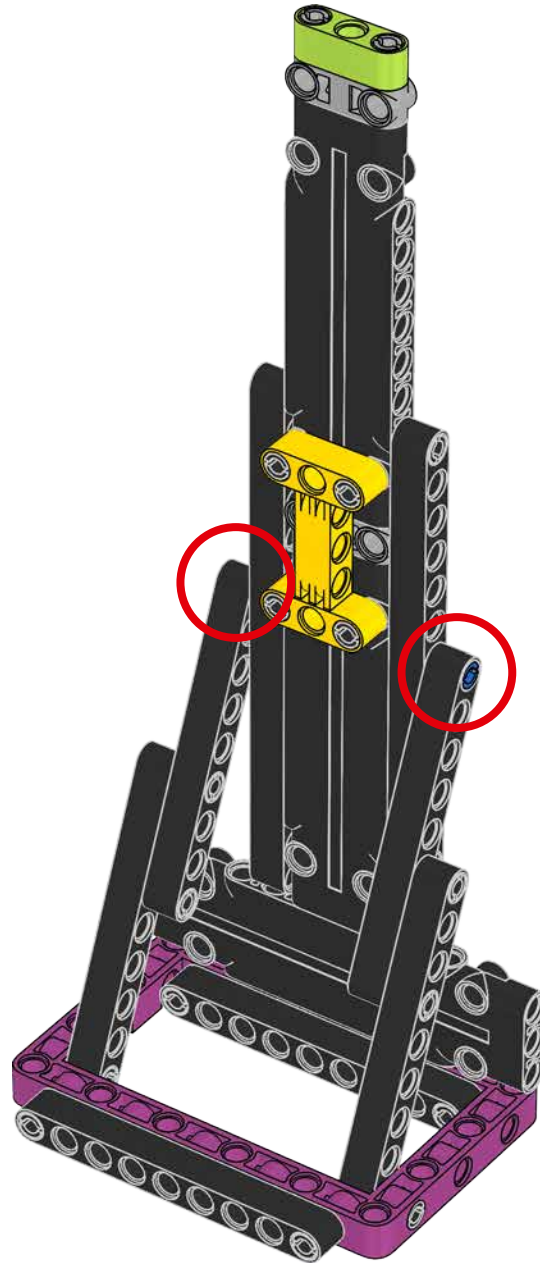
25





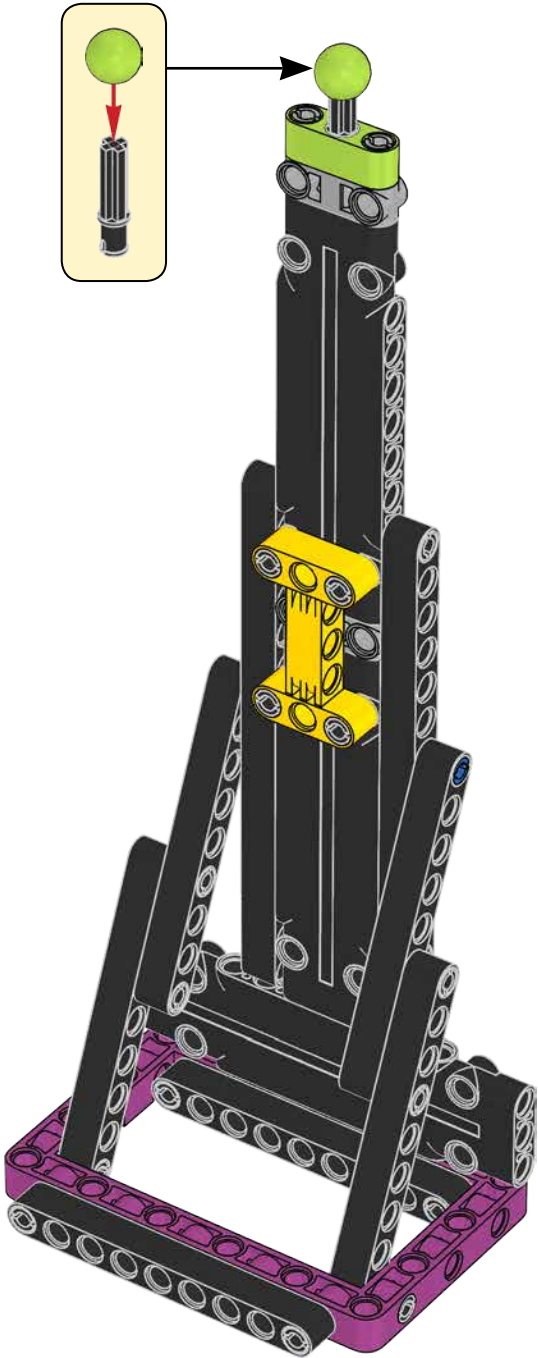
26

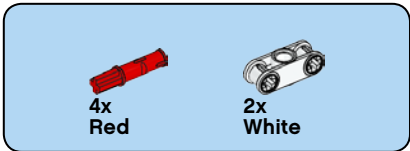




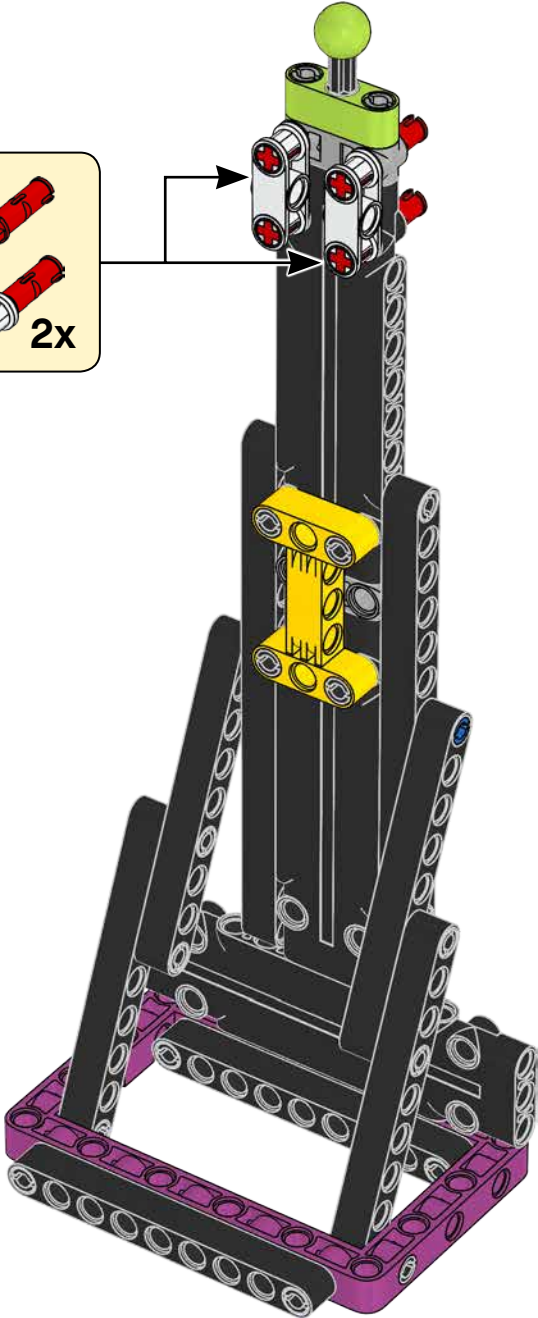
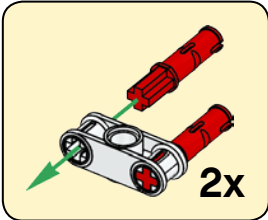
1x Black
1x Bright yellowish green

28

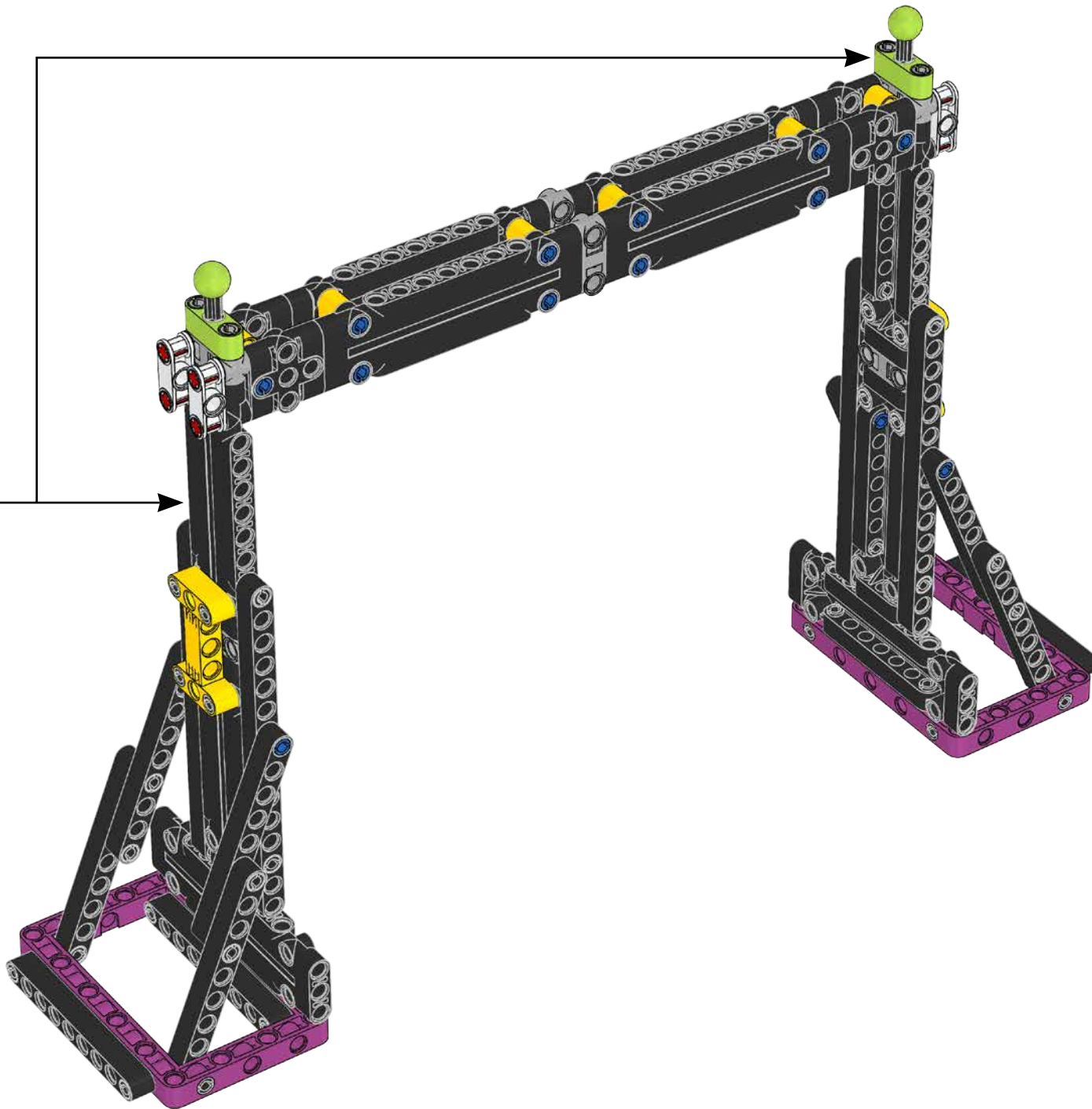


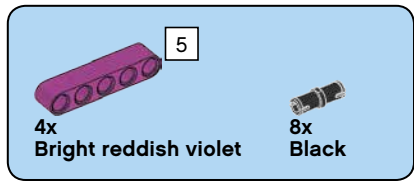


29

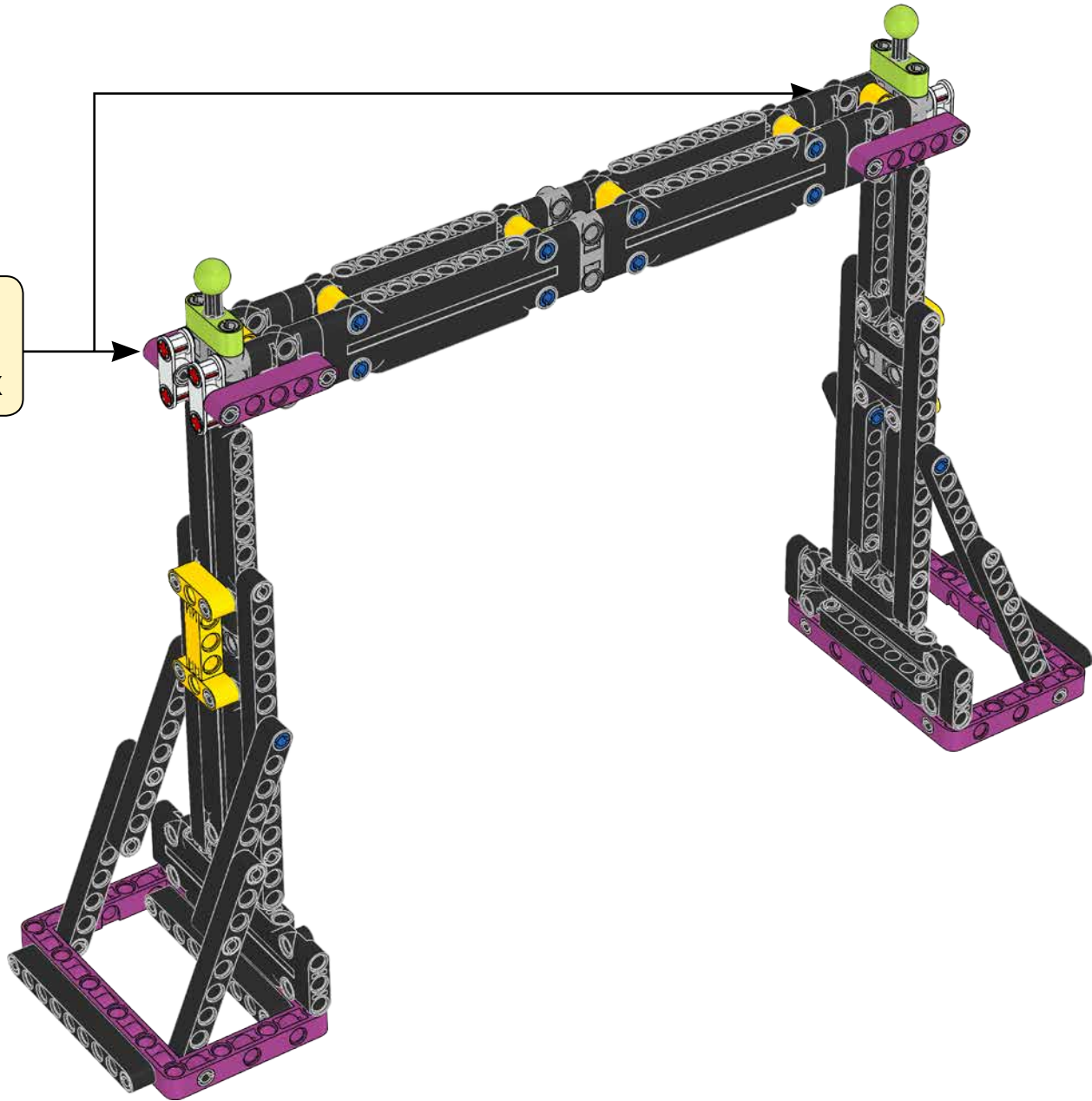
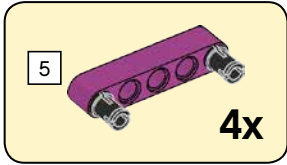


30





31



LEGO and the LEGO logo are trademarks of the/son des marques de commerce du/son marcas registradas de LEGO Group. ©2020 The LEGO Group.

FIRST® is a registered trademark of For Inspiration and Recognition of Science and Technology (FIRST). LEGO® is a registered trademark of the LEGO Group. FIRST® LEGO® League are jointly held trademarks of FIRST and the LEGO Group. ©2020 FIRST and the LEGO Group. All rights reserved.